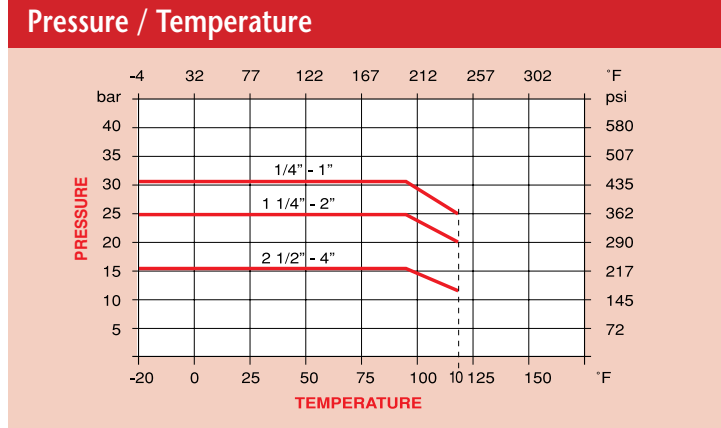


PN32 Brass Ball Valve

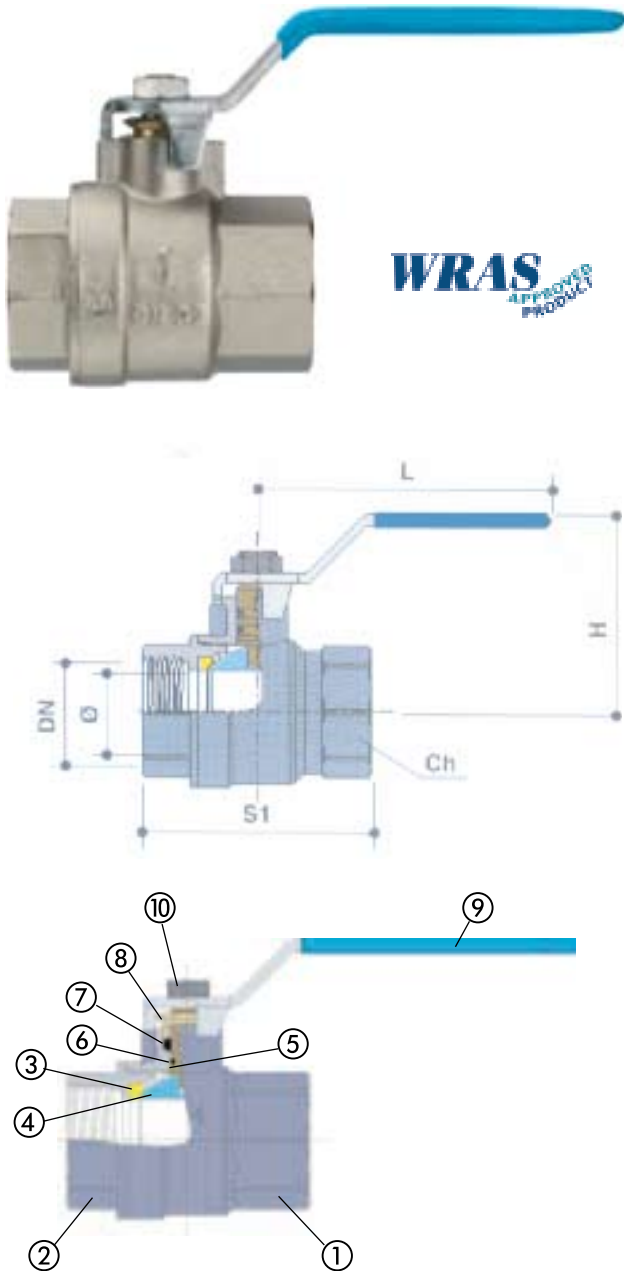
Features

- Screwed BSP Parallel
- PTFE seat
- Anti Blow Out Stem
- Full Bore



Technical Data	1/4" - 1"	1 1/4" - 2"	2 1/2" - 4"
Max Pressure	32 bar	25 bar	16 bar
Working Temperature	-10°C to +110°C	-10°C to +110°C	-10°C to +110°C

N.	Part Name	Materials	Treatment
1	Body	Brass	Nickel plated
2	Body End	Brass	Nickel plated
3	Seat	PTFE	
4	Ball	Brass	Chrome plated
5	Stem	Brass	
6	O Ring	NBR	
7	Seal	PTFE	
8	Packing Nut	Brass	
9	Handle	Steel	PVC-Plastic Coated
10	Nut	Steel	Zinc Plated



DN	1/4"	3/8"	1/2"	3/4"	1"	1 1/4"	1 1/2"	2"	2 1/2"	3"	4"
ø	10.5	10.5	15	20	25	32	40	50	61	74	95
S1	41.5	43.5	48	58	69	80	91	108	130	150	182
H	39.5	39.5	42	44	57	61	72	77	120	127	135
L	80	80	90	90	105	105	150	150	240	240	250
Ch	17.5	20.5	25	31	38	47	54	66	84	96	123
Kgs	0.12	0.12	0.19	0.28	0.41	0.60	0.97	1.43	2.98	3.91	6.93

Dimensions in mm

This data sheet is designed as a guide and should not be regarded as wholly accurate in every detail. We reserve the right to amend the specification of any product without notice.