

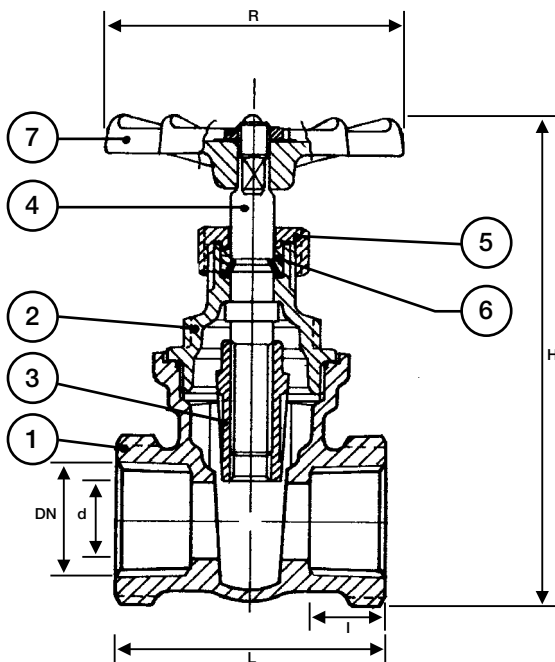
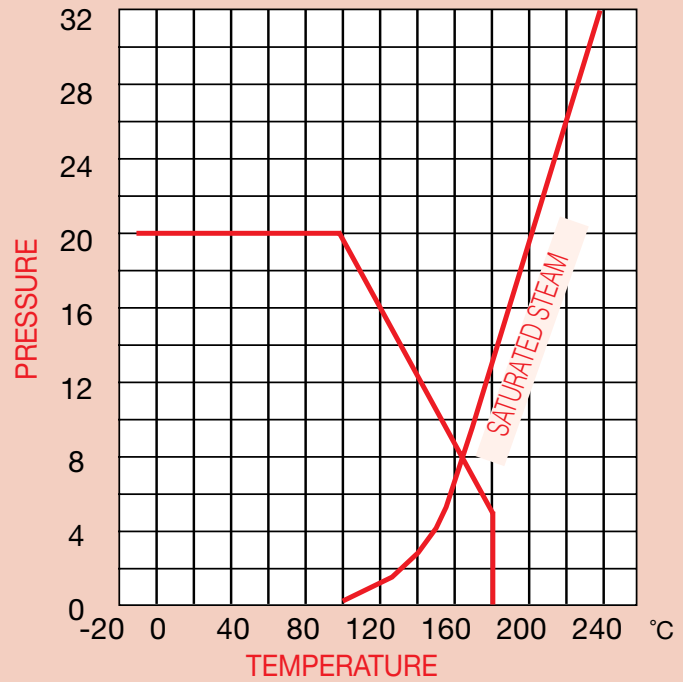


## PN20 Brass Gate Valve

### Features

- Screwed BSP Taper
- BS5154
- Full Bore

### Pressure / Temperature



DN	1/2"	3/4"	1"	1 1/4"	1 1/2"	2"
d	13	19.1	25.4	32	38.2	51
H	65	88	98	115	135	165
l	14	15	18	21	21	26
L	47	54	62	70	74	86
R	50	60	70	75	80	90
Kgs	0.23	0.39	0.57	0.97	1.27	2.15

### Technical Data

Max Pressure	20 bar
Working Temperature	-20°C to +180°C

N.	Part Name	Materials
1	Body	Brass
2	Bonnet	Brass
3	Wedge	Brass
4	Stem	Brass
5	Gland nut	Brass
6	Stem Packing	PTFE
7	Handwheel	Aluminium

Dimensions in mm

This data sheet is designed as a guide and should not be regarded as wholly accurate in every detail. We reserve the right to amend the specification of any product without notice.