

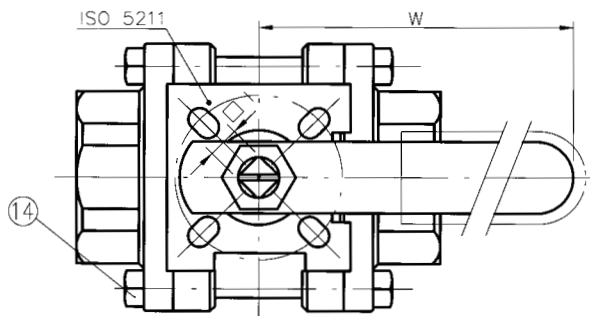
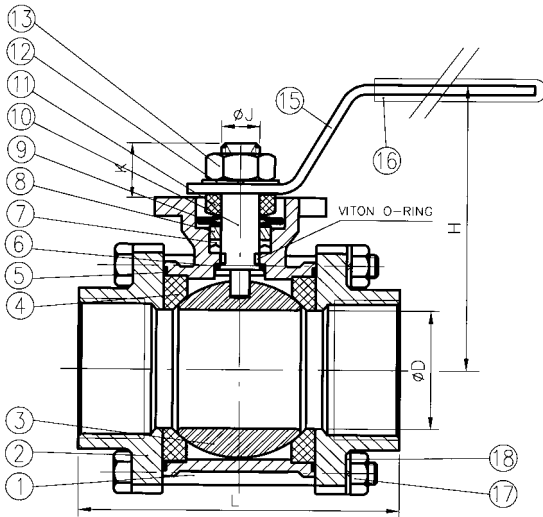
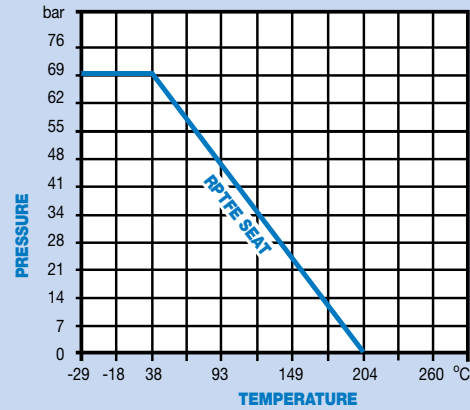


## Stainless Steel 3-Piece Full Ball Valve

### Features

- Screwed BSP Taper
- RPTFE Seats
- ISO 5211 Direct Mount
- PN 69 Rated
- PTFE Seals
- Handle Not Supplied

### Pressure / Temperature



N.	Part Name	Materials
1	Body	ASTM A351-CF8M
2	End Cap	ASTM A351-CF8M
3	Ball	ASTM A351-CF8M/316
4	Seat	RPTFE
5	Gasket	PTFE
6	Thrust Washer	PTFE
7	Stem Packing	PTFE
8	Gland	AISI 304
9	Belleville Washer	AISI 301
10	Stem	ASTM A276-316
11	Packing Nut	AISI 304
12	Handle Washer	AISI 304
13	Handle Nut	AISI 304
14	Bolt	AISI 304
15	Handle	AISI 304
16	Handle Cover	PVC
17	Nut	AISI 304
18	Spring Washer	AISI 304

DN	1/4"	3/8"	1/2"	3/4"	1"	1 1/4"	1 1/2"	2"	2 1/2"	3"
øD	10.5	12.5	15	20	25.4	32	38	50	65	80
H	68	68	68	71	89	95.5	103.5	114.5	153.5	165
I	9	9	9	9	11	11	14	14	17	17
J	ø12	ø12	ø12	ø12	ø14	ø14	ø19	ø19	ø24	ø24
L	70	70	70	80	90	105	120	140	168	193
W	135	135	135	135	165	165	195	195	300	300
K	9	9	9	9	14	14	18	18	22	22
ISO 5211	F03 FO4	F03 FO4	F03 FO4	F03 FO4	F04 FO5	F04 FO5	F05 FO7	F05 FO7	F07 F10	F07 F10
Torque	9	10	10	14	20	28	64	100	108	127
Kgs	0.38	0.38	0.65	0.84	1.32	1.70	2.55	3.90	8.52	12.98

Torque includes 30% safety calculated at 16 bar water. For high pressure and viscous media contact the sales office for advice.

### Technical Data

Maximum Pressure 69 Bar  
Working Temperature -29°C to +204°C

Dimensions in mm

This data sheet is designed as a guide and should not be regarded as wholly accurate in every detail. We reserve the right to amend the specification of any product without notice.