

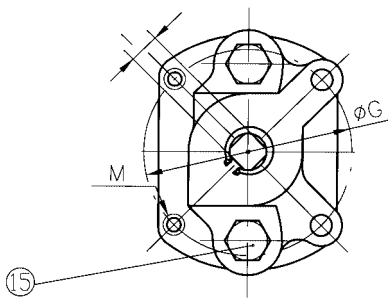
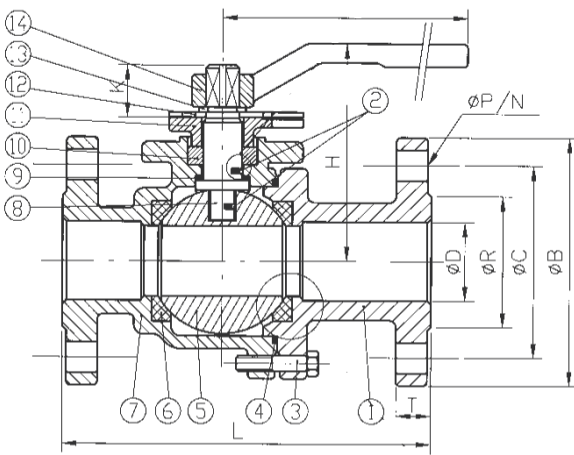
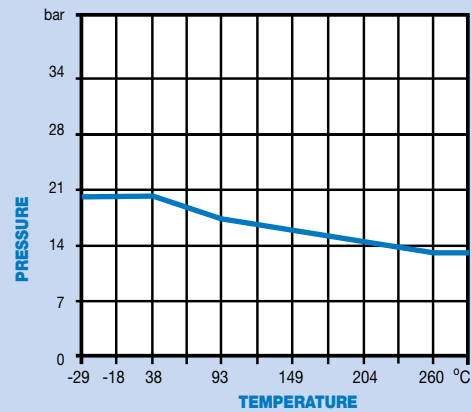


Stainless Steel 2-Piece Ball Valve

Features

- Flanged ASA 150
- RPTFE Seats
- PTFE Seals
- Full Bore
- Class 150 Rated

Pressure / Temperature



N.	Part Name	Materials
1	End Cap	ASTM A351-CF8M
2	Gland Bolt	AISI 304
3	Body Joint Bolt	AISI 304
4	Gasket	PTFE
5	Ball	ASTM A351-CF8M/316
6	Seat	RPTFE
7	Body	ASTM A351-CF8M
8	Stem	ASTM A276-316
9	Thrust Washer	PTFE
10	Stem Packing	PTFE
11	Gland	ASTM A351-CF8
12	Handle Stopper	AISI 304
13	Snap Ring	AISI 420
14	Handle	FCD 45

DN	1/2"	3/4"	1"	1 1/2"	2"	2 1/2"	3"	4"
øD	15	20	25	38	50	65	76	100
L	108	117	127	165	178	191	203	229
T	9.65	10.41	11.18	14.22	15.75	17.53	19.05	23.88
øR	35	43	51	73	92	104.6	127	157
øC	60.5	69.9	79.2	98.6	120.7	139.7	152.4	190.5
øB	88.9	98.6	108	127	152.4	177.8	190.5	228.6
øP	15.75	15.75	15.75	15.75	19.05	19.05	19.05	19.05
N° Holes	4	4	4	4	4	4	4	8
H	80	83	97	111	118	144	154	174
W	130	130	160	210	210	315	315	400
I	9	9	11	14	14	17	17	22
K	17.5	17.5	22	28	28	31	31	33
G	42	42	42	70	70	70	70	102
M	M5	M5	M5	M8	M8	M8	M8	M10
Torque	6	10	16	35	41	48	71	89
Kgs	1.85	2.25	3.10	5.95	8.85	15.35	19.20	30.95

Torque includes 30% safety calculated at 16 bar water. For high pressure and viscous media contact the sales office for advice.

Technical Data

Maximum Pressure 20 Bar
Working Temperature -29°C to +232°C

Dimensions in mm

This data sheet is designed as a guide and should not be regarded as wholly accurate in every detail. We reserve the right to amend the specification of any product without notice.