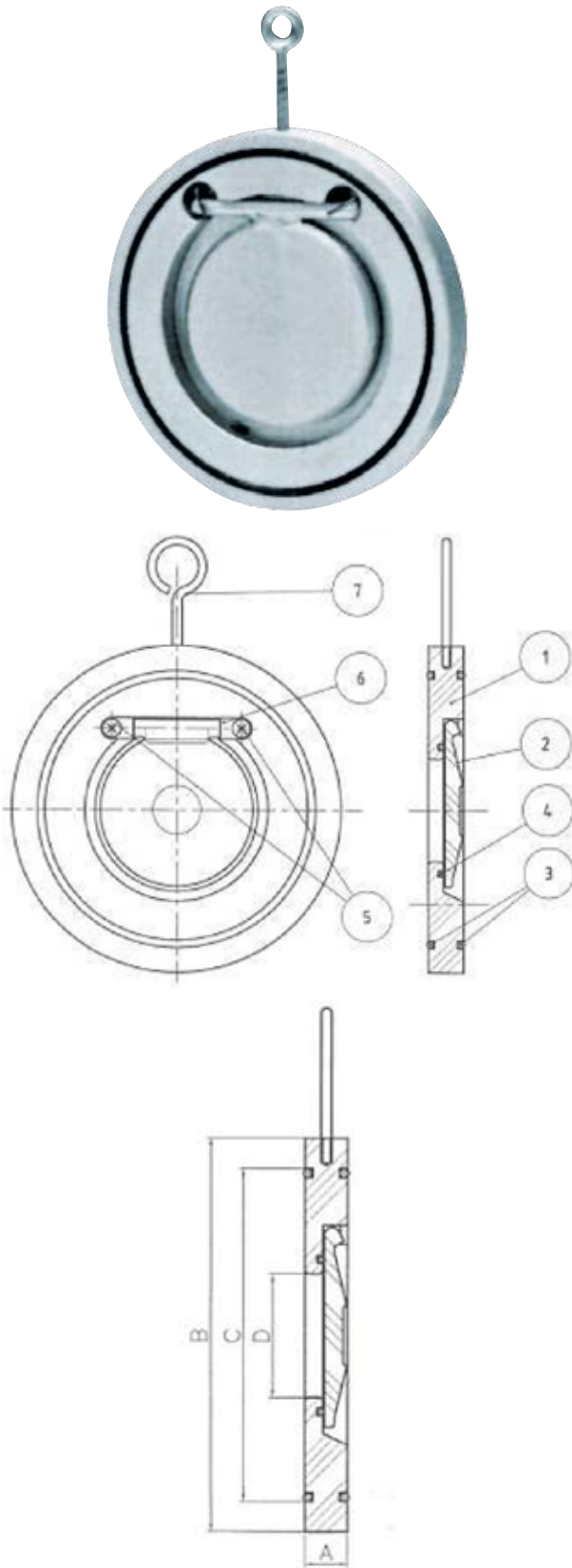


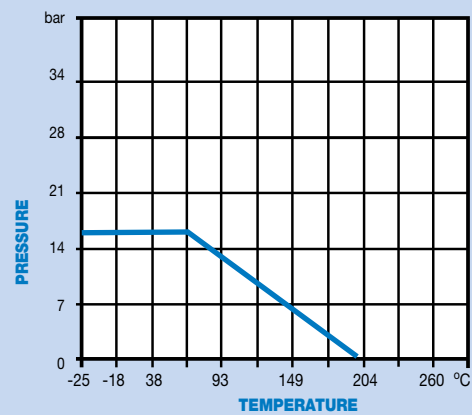
Stainless Steel Wafer Check Valve

Features

- PN16 Rated
- 'O' Ring Viton
- Body and Disc 316 Stainless
- Suitable for Vertical or Horizontal Flow
- Suitable for PN10, PN16 and ASA 150 Flanges



Pressure / Temperature



N.	Part Name	Materials
1	Body	Stainless Steel AISI 316
2	Disc	Stainless Steel AISI 316
3	External 'O' Ring	Viton
4	Disc 'O' Ring	Viton
5	Axis Screw	Stainless Steel AISI 316
6	Stem Stopper	Stainless Steel AISI 316
7	Hook	Stainless Steel

Technical Data

Maximum Pressure 16 Bar
 Working Temperature -25°C to +180°C

DN	2"	2 1/2"	3"	4"	5"	6"	8"	10"
A	14	14	14	18	18	20	22	26
B	109	129	144	164	195	220	275	332
C	101	113	124	148	179	198	248	312
D	32	40	54	70	92	112	154	200
Kgs	0.86	1.18	1.48	2.50	3.20	4.40	7.15	11.95

Dimensions in mm

This data sheet is designed as a guide and should not be regarded as wholly accurate in every detail. We reserve the right to amend the specification of any product without notice.