

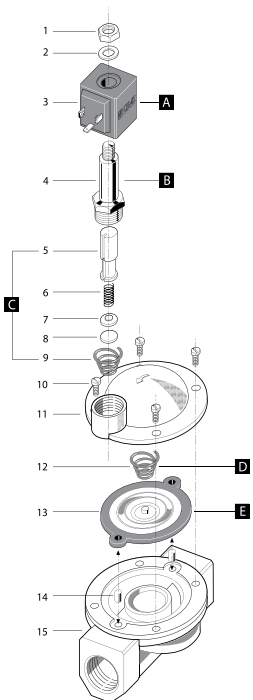
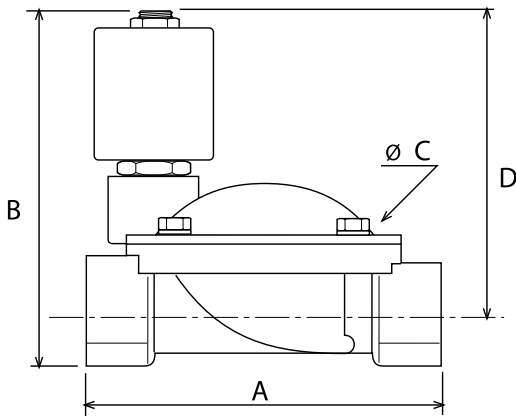
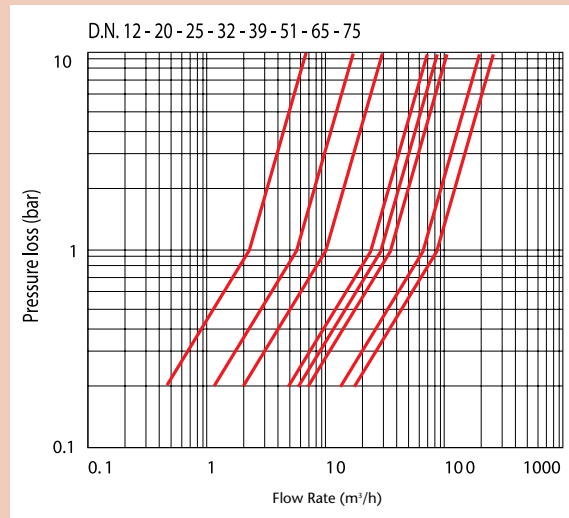


Solenoid Valve Pilot Operated 2/2 Way Normally Closed

Features

- Media - Water, Oil, Air
- Seal: NBR
- Body: Brass
- Available with EPDM/Viton for high temps

Pressure / Flow Rate



N.	Part Name
1	Lock Nut
2	Washer
3	Coil
4	Tube Guide
5	Plunger
6	Spring
7	Support
8	Seal
9	Spring
10	Screw
11	Valve Body Top
12	Spring
13	Diaphragm
14	Bush
15	Valve Body Base

Coil Options

Voltage	Power	
	Holding	in Rush
V~ 12, 24, 48, 110, 230, 400	50, 60 Hz	11va 24va
V= 12, 24, 48, 110		16w

DN	3/8"	1/2"	3/4"	1"	1 1/4"	1 1/2"	2"	2 1/2"	3"
A	61	61	87	100	131	146	174	245	250
B	89	89	101	106	122	128	145	180	190
C	48	48	69	80	112	128	146	184	184
D	77	77	84	86	95	98	108	134	139
Kgs	0.54	0.50	0.80	1.10	2.50	3.00	4.60	9.40	11.23

Technical Data

Pressure Range	0.3 bar to 10 bar
Working Temperature	-20°C to +90°C

Dimensions in mm

This data sheet is designed as a guide and should not be regarded as wholly accurate in every detail. We reserve the right to amend the specification of any product without notice.