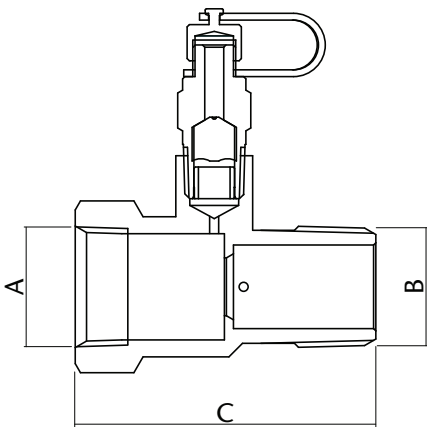
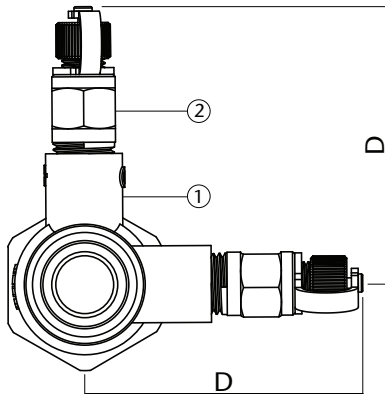
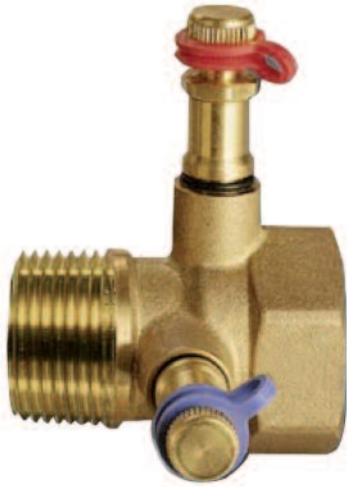


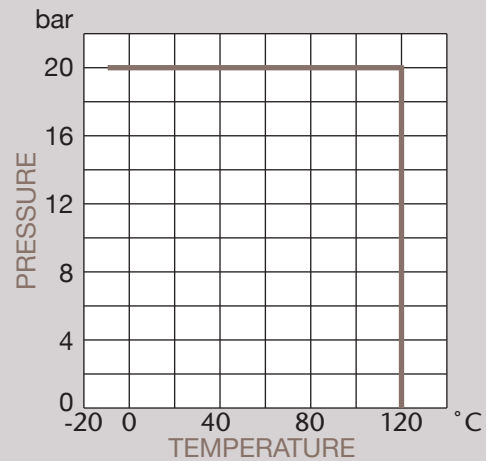
## PN20 DZR Metering Station



### Features

- Screwed BSP taper
- Fixed orifice with  $\pm 5\%$  flow measurement accuracy
- Can be close coupled to a double regulating valve
- Supplied with 2 fitted test points

### Pressure / Temperature



N.	Part Name	Materials
1	Body	DZR Brass
2	Pressure Test Point	DZR Brass

	1/2"	3/4"	1"	1 1/4"	1 1/2"	2"
A	Rc1/2	Rc3/4	Rc1	Rc1 1/4	Rc1 1/2	Rc2
B	R1/2	R3/4	R1	R1 1/4	R1 1/2	R2
C	67	67	64	71	71	80
D	59	62	65	70	73	79
kgs	0.22	0.27	0.31	0.46	0.52	0.77

### Technical Data

Max Pressure	20 bar
Working Temperature	-10°C to 120°C

Dimensions in mm

This data sheet is designed as a guide and should not be regarded as wholly accurate in every detail. We reserve the right to amend the specification of any product without notice.