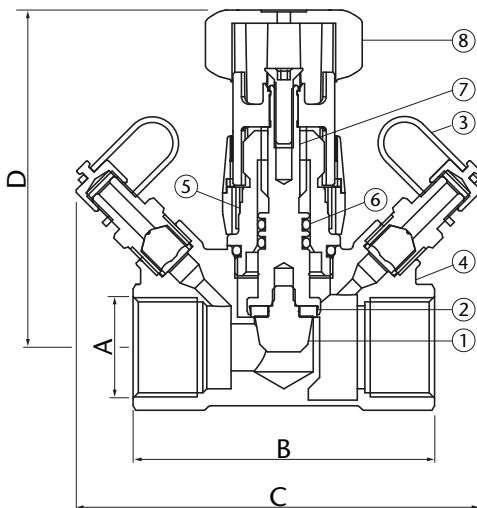


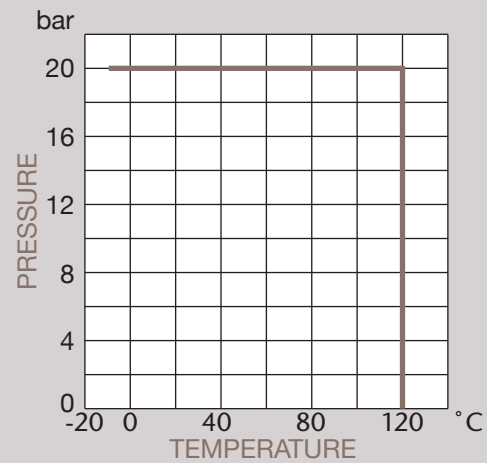
PN20 DZR Variable Orifice DR Valve

Features

- Screwed BSP parallel
- Position indicator
- Double regulating device
- Supplied with 2 fitted test points
- EPDM disk seating gives tight shut off



Pressure / Temperature



N.	Part Name	Materials
1	Disk	DZR Brass
2	Disk Facing	EPDM Rubber
3	Pressure Test Point	DZR Brass
4	Body	DZR Brass
5	Bonnet	DZR Brass
6	'O' Rings	Nitrile Rubber
7	Stem	DZR Brass
8	Handwheel	Nylon 6

	1/2"	3/4"	1"	1 1/4"	1 1/2"	2"
A	Rp1/2	Rp3/4	Rp1	Rp1 1/4	Rp1 1/2	Rp2
B	78	80	87	108	115	124
C	106	107	107	123	128	132
D	88	90	92	99	99	100
kgs	0.38	0.44	0.54	0.96	1.12	1.35

Technical Data

Max Pressure	20 bar
Working Temperature	-10°C to 120°C

Dimensions in mm

This data sheet is designed as a guide and should not be regarded as wholly accurate in every detail. We reserve the right to amend the specification of any product without notice.