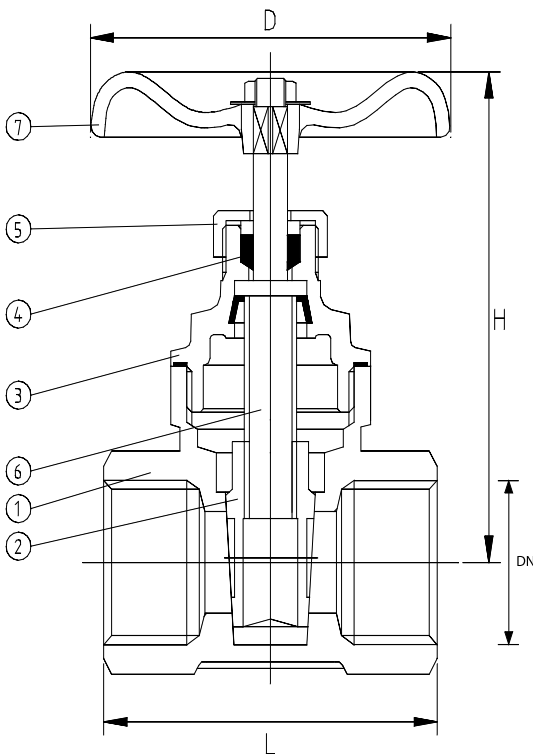


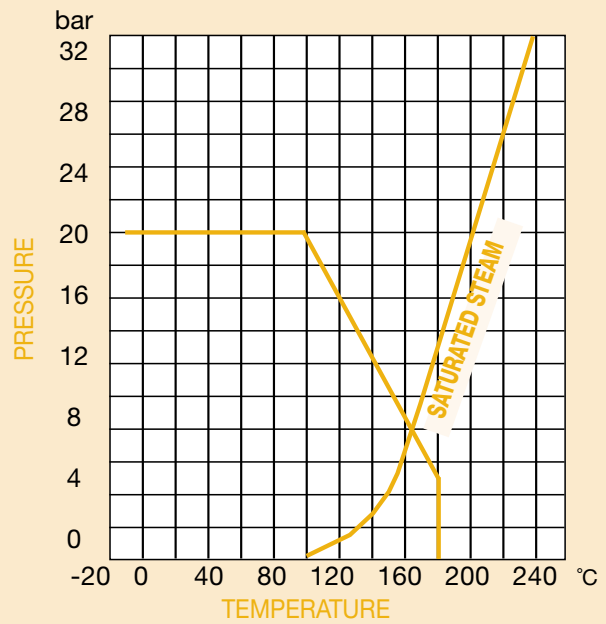
PN20 DZR Brass Gate Valve

Features

- Screwed BSP Taper
- DZR Brass Body & Wedge
- Cast Hand Wheel
- BS5154



Pressure / Temperature



DN	1/2"	3/4"	1"	1 1/4"	1 1/2"	2"
L	43	46	52	65	66	82.5
H	72.1	76.7	87.6	103	113.7	147.7
D	55	55	60	72	72	80
Kgs	0.25	0.33	0.45	0.71	0.93	1.44

N.	Part Name	Materials
1	Body	DZR Brass
2	Wedge	DZR Brass
3	Bonnet	DZR Brass
4	Stem Packing	PTFE
5	Gland Nut	Brass
6	Stem	DZR Brass
7	Hand Wheel	Cast Iron

Technical Data

Max Pressure	20 bar
Working Temperature	-10°C to +180°C

Dimensions in mm

This data sheet is designed as a guide and should not be regarded as wholly accurate in every detail. We reserve the right to amend the specification of any product without notice.