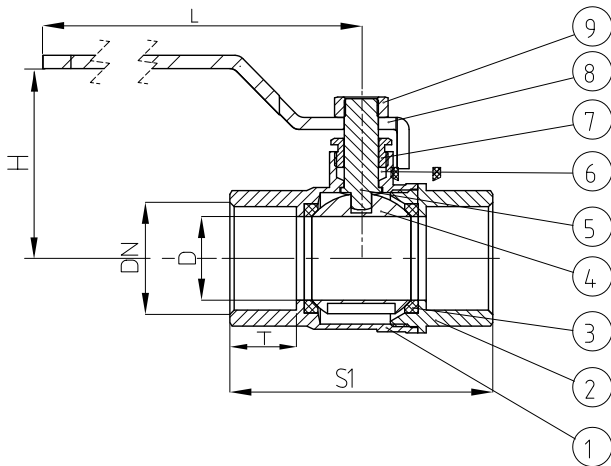


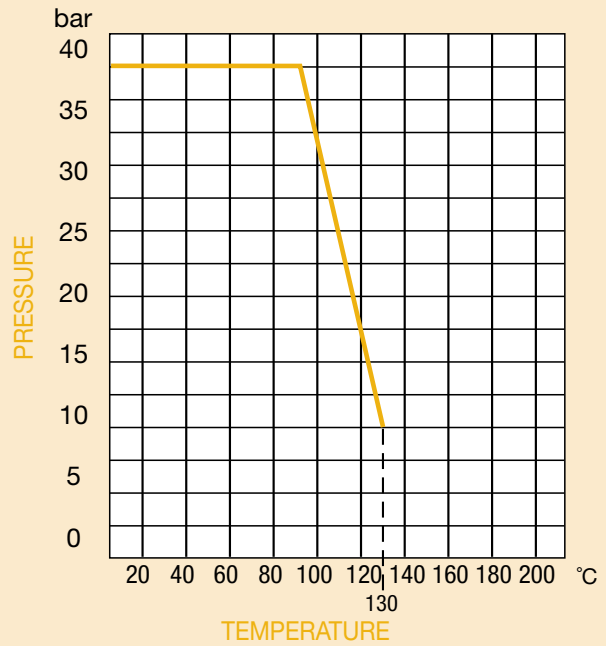
PN40 Brass Ball Valve

Features

- Screwed BSPT Ends
- PTFE Seats & Seals
- Anti Blow-out Stem
- Full Bore



Pressure / Temperature



DN	1/4"	3/8"	1/2"	3/4"	1"	1 1/4"	1 1/2"	2"
D	10	10	14.5	19	24.5	31.5	39.5	49.5
T	12.2	12.2	16	16	20.5	20.5	20.5	26.3
S1	45.6	45.6	56.2	68	78	87	100	120
H	38	38	44	46.5	53.5	67	72	77
L	83	83	95.5	115.5	115.5	131	163	163
Kgs	0.14	0.14	0.20	0.26	0.41	0.61	0.95	1.35

N.	Part Name	Materials
1	Body	DZR Brass
2	Bonnet	DZR Brass
3	Seat	PTFE
4	Ball	Brass
5	Stem	Brass
6	Washer	PTFE
7	Lock Nut	Brass
8	Handle	Steel
9	Screw	Steel

Technical Data

Max Pressure 40 bar
 Working Temperature -20°C to +130°C

Dimensions in mm

This data sheet is designed as a guide and should not be regarded as wholly accurate in every detail. We reserve the right to amend the specification of any product without notice.