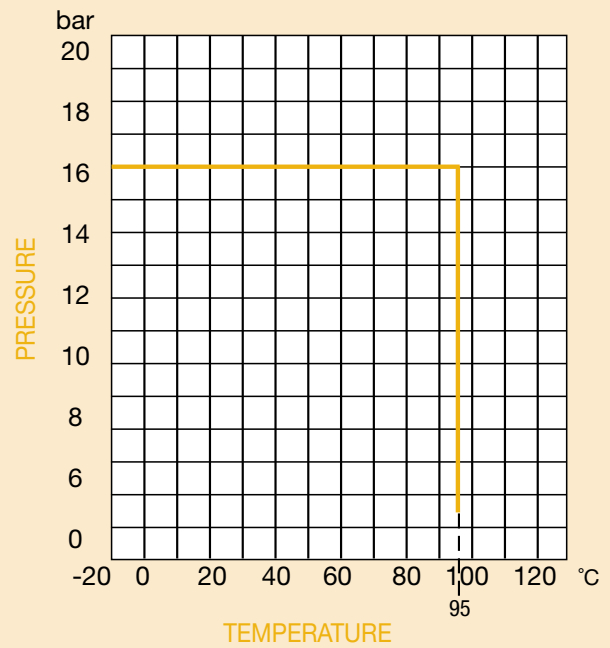


DZR Brass Single Check Valve c/w Compression Ends

Features

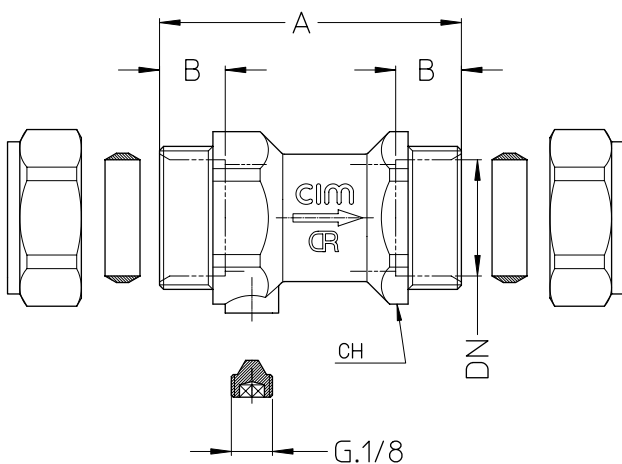
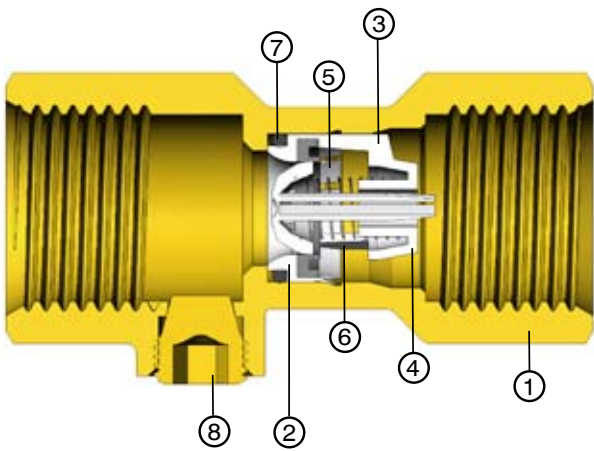
- Compression Ends
- DZR Brass Body
- EN177
- NBR Seals

Pressure / Temperature



DN	15mm	22mm	28mm
A	59,5	67	78
B	13	15	16
CH	25	31	38
Kgs	0.17	0.25	0.40

N.	Part Name	Materials
1.	Body	DZR Brass
2.	Housing	POM
3.	Valve	POM
4.	Torpedo	POM
5.	Seal	NBR
6.	Spring	Stainless Steel
7.	O-Ring	NBR
8.	Plug	DZR Brass



Technical Data

Max Pressure	16 bar
Working Temperature	-10°C to +95°C

Dimensions in mm

This data sheet is designed as a guide and should not be regarded as wholly accurate in every detail. We reserve the right to amend the specification of any product without notice.