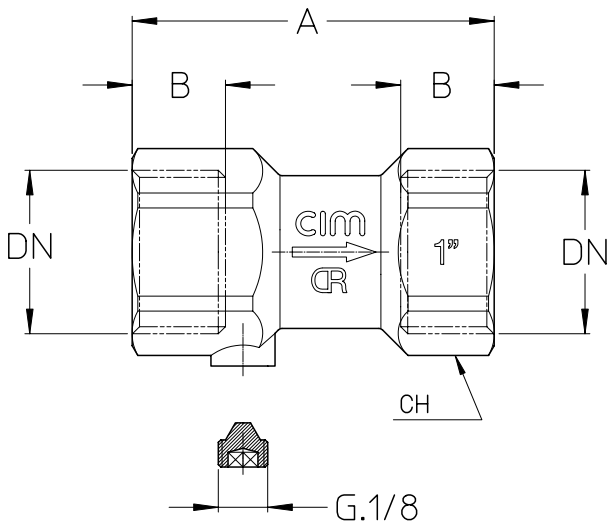
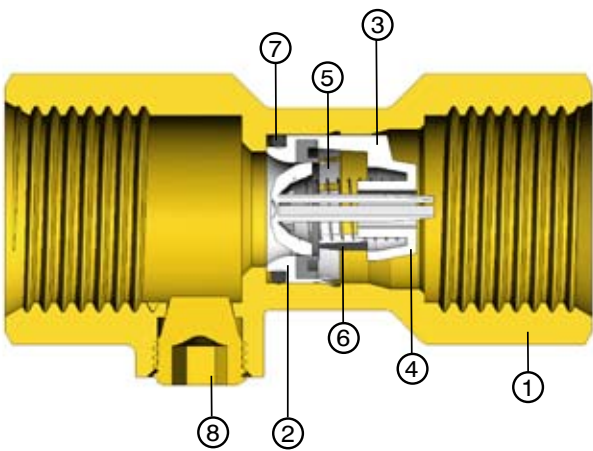


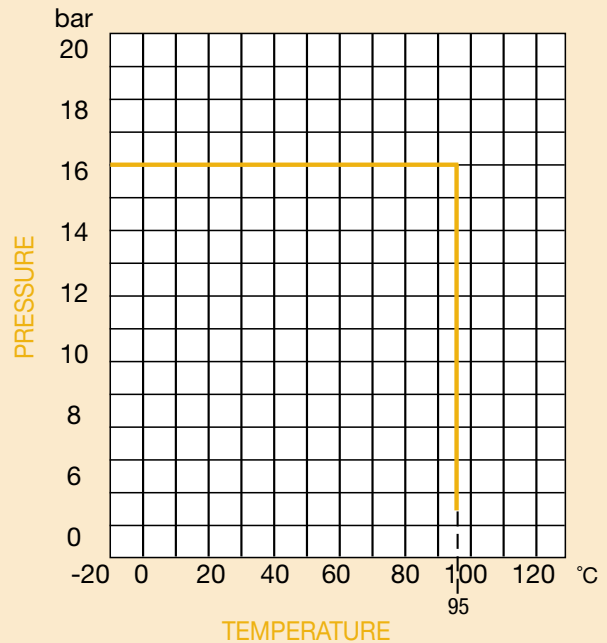
DZR Brass Single Check Valve with F/F Ends

Features

- Screwed BSP Parallel
- EN177
- DZR Brass Body
- NBR Seals



Pressure / Temperature



DN	1/2"	3/4"	1"	1 1/4"	1 1/2"	2"
A	59,5	67	78	76	86	102
B	15	16,3	19,1	15	17	18
CH	25	31	38	47	54	66
Kgs	0.12	0.17	0.27	0.35	0.51	0.78

N.	Part Name	Materials
1.	Body	DZR Brass
2.	Housing	POM
3.	Valve	POM
4.	Torpedo	POM
5.	Seal	NBR
6.	Spring	Stainless Steel
7.	O-Ring	NBR
8.	Plug	DZR Brass

Technical Data

Max Pressure	16 bar
Working Temperature	-10°C to +95°C

Dimensions in mm

This data sheet is designed as a guide and should not be regarded as wholly accurate in every detail. We reserve the right to amend the specification of any product without notice.