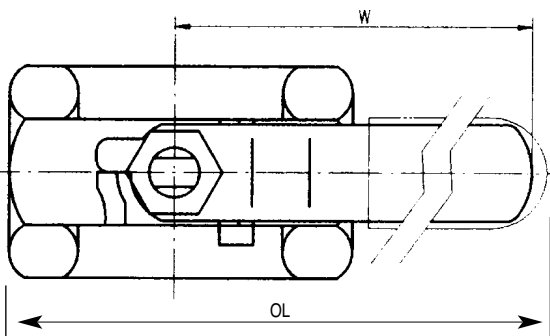
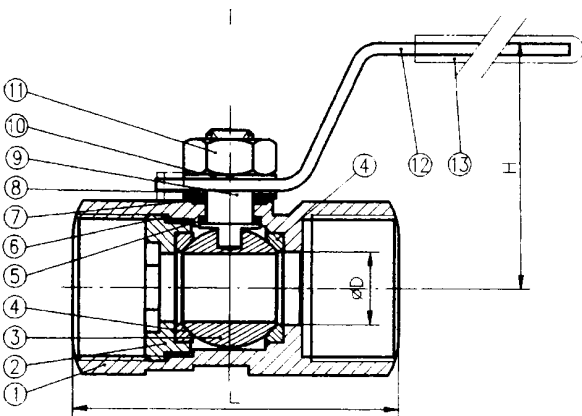


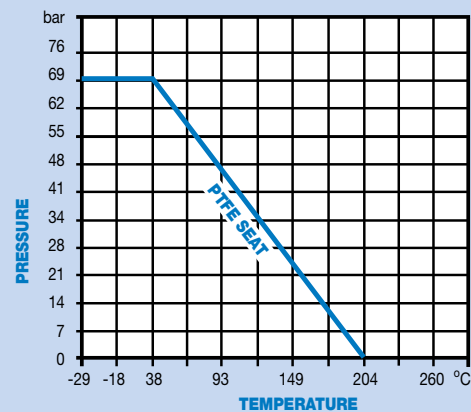
## Stainless Steel 1-Piece Ball Valve

### Features

- Screwed BSP Taper
- PTFE Seats and Seals
- Reduced Bore
- PN 69 Rated



### Pressure / Temperature



| N. | Part Name         | Materials          |
|----|-------------------|--------------------|
| 1  | Body              | ASTM A351-CF8M     |
| 2  | Retainer          | ASTM A351-CF8M/316 |
| 3  | Ball              | ASTM A351-CF8M/316 |
| 4  | Seat              | PTFE               |
| 5  | Thrust Washer     | PTFE               |
| 6  | Gasket            | PTFE               |
| 7  | Stem Packing      | PTFE               |
| 8  | Belleville Washer | AISI 301           |
| 9  | Stem              | ASTM A276-316      |
| 10 | Handle Washer     | AISI 304           |
| 11 | Handle Nut        | AISI 304           |
| 12 | Handle            | AISI 304           |
| 13 | Handle Cover      | PVC                |

| DN  | 1/4" | 3/8" | 1/2" | 3/4"  | 1"    | 1 1/4" | 1 1/2" | 2"   |
|-----|------|------|------|-------|-------|--------|--------|------|
| ØD  | 5    | 7    | 9.2  | 12.5  | 16    | 20     | 25     | 32   |
| L   | 39   | 44   | 56   | 59    | 71    | 77     | 83     | 100  |
| H   | 33   | 35   | 42   | 46    | 50    | 56     | 66     | 72   |
| W   | 68   | 79   | 90   | 90    | 104   | 104    | 126    | 126  |
| OL  | 87.5 | 101  | 118  | 119.5 | 139.5 | 142.5  | 167.5  | 176  |
| Kgs | 0.65 | 0.10 | 0.20 | 0.25  | 0.45  | 0.65   | 0.85   | 1.40 |

### Technical Data

Maximum Pressure 69 Bar  
 Working Temperature -29°C to +204°C