

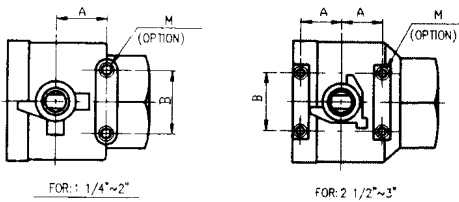
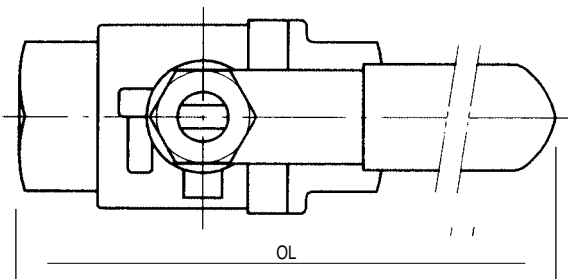
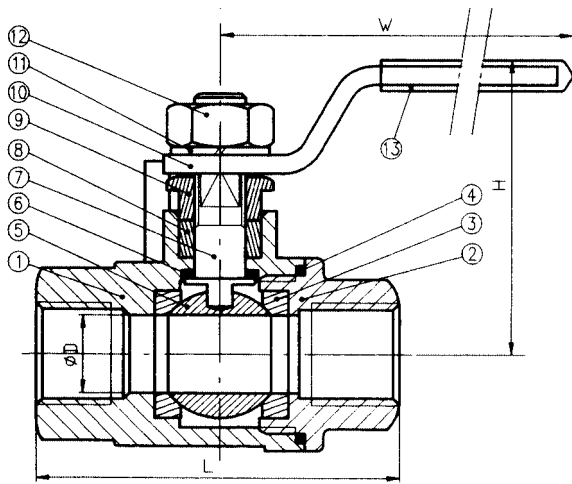
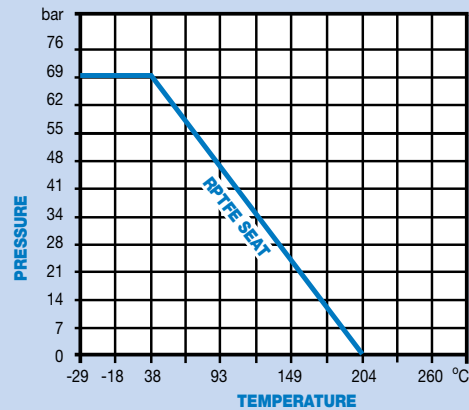
## Stainless Steel 2-Piece Ball Valve

### Features

- Screwed BSP Taper
- RPTFE Seats
- PTFE Seals
- Full Bore
- PN 69 Rated



### Pressure / Temperature



N.	Part Name	Materials
1	Body	ASTM A351-CF8M
2	End Cap	ASTM A351-CF8M
3	Seat	RPTFE
4	Gasket	PTFE
5	Ball	ASTM A351-CF8M/316
6	Thrust Washer	PTFE
7	Stem	ASTM A276-316
8	Stem Packing	PTFE
9	Gland	AISI 304
10	Handle	AISI 304
11	Handle Washer	AISI 304
12	Handle Nut	AISI 304
13	Handle Cover	PVC

DN	1/4"	3/8"	1/2"	3/4"	1"	1 1/4"	1 1/2"	2"	2 1/2"	3"
øD	11	12.5	15	20	25.4	32	38	50	65	80
L	55	55	65	71	86	98	111	126	162	180
A						23.6	23.6	23.6	35	35
B						38.1	38.1	38.1	55	55
H	53	53	53	56.5	65.5	71	80	89.5	128.5	139.5
W	94	94	94	94	111	111	136.5	136.5	243	243
M (option)						1/4-20 UNC	1/4-20 UNC	1/4-20 UNC	1/4-20 UNC	1/4-20 UNC
OL	121.5	121.5	126.5	129.5	154	160	192	199.5	324	333
Kgs	0.25	0.25	0.35	0.45	0.80	1.25	1.80	2.85	6.41	9.55

### Technical Data

Maximum Pressure 69 Bar

Working Temperature -29°C to +204°C

Dimensions in mm

This data sheet is designed as a guide and should not be regarded as wholly accurate in every detail. We reserve the right to amend the specification of any product without notice.