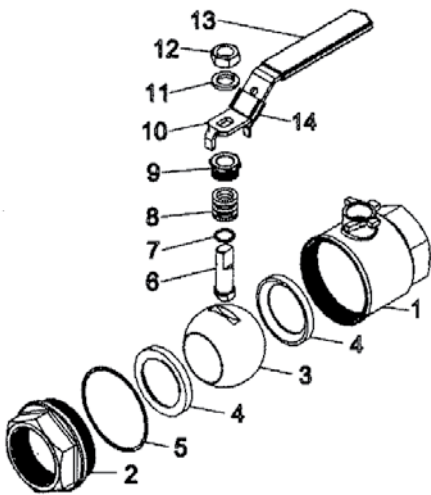
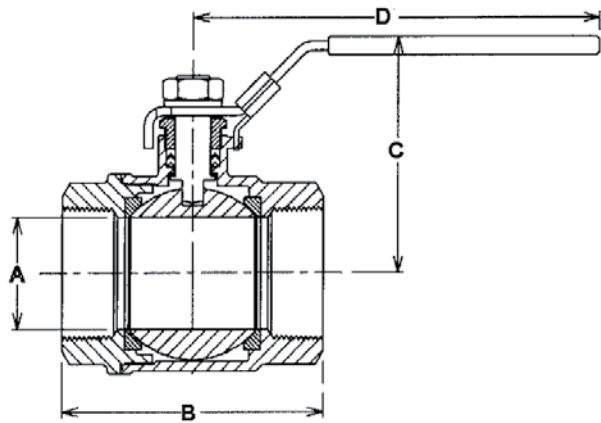


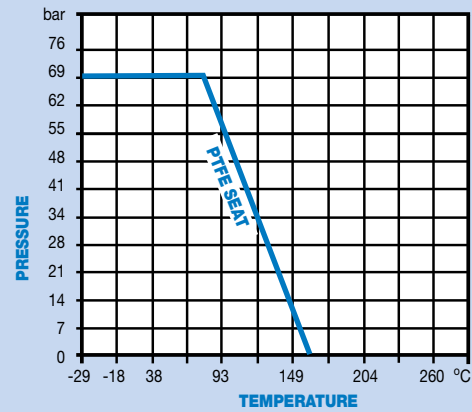
## Stainless Steel 2-Piece Ball Valve

### Features

- Screwed BSP Parallel
- PTFE Seats and Seals
- Full Bore
- PN 69 Rated



### Pressure / Temperature



N.	Part Name	Materials
1	Body	ASTM A351-CF8M
2	Cap	ASTM A351-CF8M
3	Ball	AISI 316/CF8M
4	Ball Seat	PTFE
5	Joint Gasket	PTFE
6	Stem	AISI 316
7	Thrust Washer	PTFE
8	Stem Packing	PTFE
9	Gland Nut	A194 Gr.8
10	Handle	AISI 304
11	Spring Washer	AISI 304
12	Stem Nut	A194 Gr.8
13	Handle Cover	PVC
14	Locking Device	AISI 304

### Technical Data

Maximum Pressure 69 Bar  
 Working Temperature -20°C to +150°C

DN	1/4"	3/8"	1/2"	3/4"	1"	1 1/4"	1 1/2"	2"
A	11	11	12.5	20	25	32	38	50
B	50	52	59	69	80	92	105	123
C	52.5	52.5	53	56.5	65.5	71	80	89.5
D	94	94	94	94	111	111	136.5	136.5
Kgs	0.23	0.23	0.27	0.41	0.70	1.06	1.60	2.60