

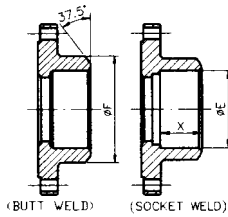
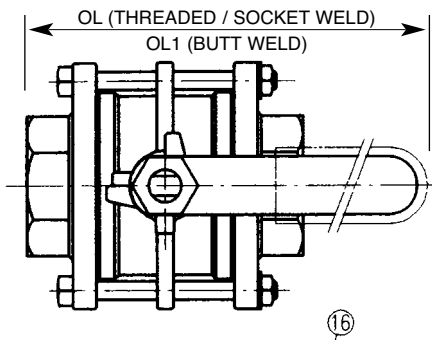
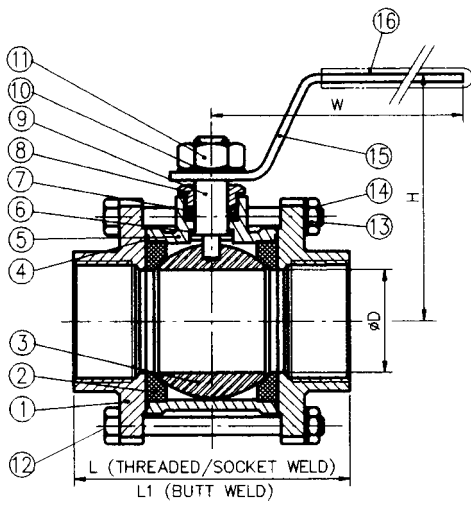
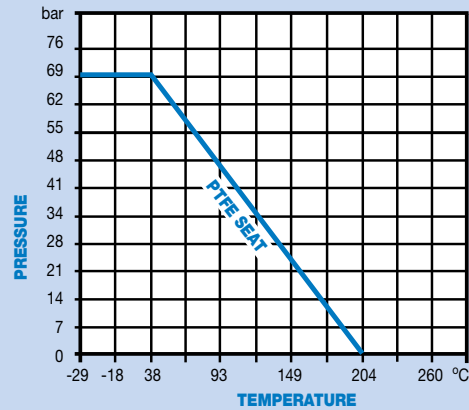


Carbon Steel 3-Piece Ball Valve

Features

- Screwed BSP Taper
- RPTFE Seats
- Full Bore
- PTFE Seals
- PN 69 Rated

Pressure / Temperature



N.	Part Name	Materials
1	End Cap	ASTM A216-WCB
2	Seat	RPTFE
3	Ball	ASTM A351-CF8/304
4	Gasket	PTFE
5	Body	ASTM A216-WCB
6	Thrust Washer	PTFE
7	Stem Packing	PTFE
8	Gland	AISI 304
9	Stem	ASTM A276-304
10	Handle Washer	AISI 304
11	Handle Nut	AISI 304
12	Bolt	CARBON STEEL/GR. B7
13	Nut	CARBON STEEL/GR. 2H
14	Bolt Washer	AISI 304
15	Handle	ZINC PLATED STEEL
16	Handle Cover	PVC

DN	1/4"	3/8"	1/2"	3/4"	1"	1 1/4"	1 1/2"	2"	2 1/2"	3"
øD	11	12.5	15	20	25.4	32	38	50	65	80
L	65	65	70	80	90	105	120	134	165	185
L1	65	65	71	82	92	110	127	150	183	210
øE	14.2	17.6	21.8	27.2	33.9	42.7	48.8	61.2	73.9	89.8
X	10	10	13	15	15	15	16	17	17	17
øF	14.6	18.5	22.5	27.8	34.5	43.5	49.3	61.4	75	90
H	52	52	53	56.5	65.5	72	89	96	126	139
W	94	94	94	94	111	111	167	167	243	243
OL	126.5	126.5	129.0	134.0	156.0	163.5	227.0	234.0	325.5	335.5
OL1	126.5	126.5	129.5	135.0	157.0	166.0	230.5	242.0	334.5	348.0
Kgs	0.35	0.35	0.55	0.75	1.05	1.75	2.50	3.75	7.65	11.50

Technical Data

Maximum Pressure 69 Bar

Working Temperature -29°C to +204°C

Dimensions in mm

This data sheet is designed as a guide and should not be regarded as wholly accurate in every detail. We reserve the right to amend the specification of any product without notice.