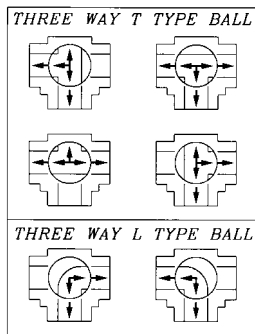
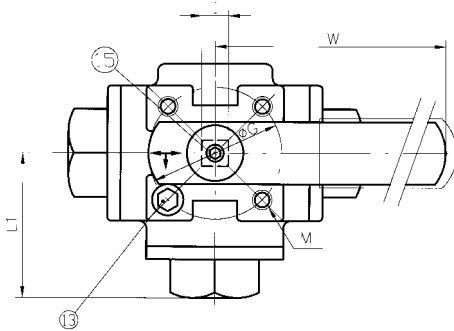
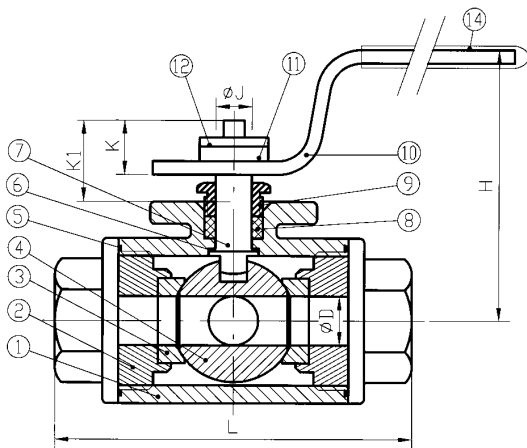


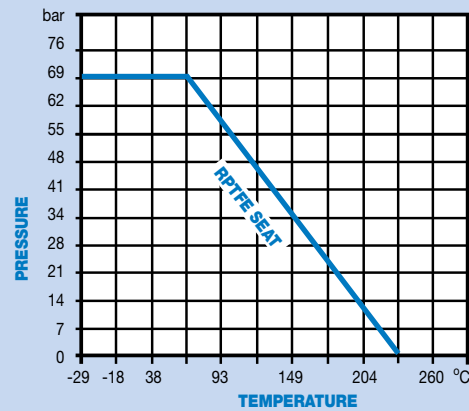
Stainless Steel 3-Way Ball Valve

Features

- Screwed BSP Taper
- RPTFE Seats
- PTFE Seals
- Reduced Bore
- PN 69 Rated



Pressure / Temperature



N.	Part Name	Materials
1	Body	ASTM A351-CF8M
2	End Cap	ASTM A351-CF8M
3	Seat	RPTFE
4	Ball	ASTM A351-CF8M/316
5	Gasket	PTFE
6	Thrust Washer	PTFE
7	Stem	ASTM A276-316
8	Stem Packing	PTFE
9	Gland	AISI 304
10	Handle	AISI 304
11	Ring	AISI 304
12	Washer	AISI 304
13	Stop Screw	AISI 304
14	Handle Cover	PVC
15	Handle Nut	AISI 304

DN	1/4"	3/8"	1/2"	3/4"	1"	1 1/4"	1 1/2"	2"
øD	11	11	12.5	16	20	25	32	38
L	70	70	75	86	101	115	125	149
L1	35	35	38	44	50	57.5	64	75.5
I	9	9	9	11	11	11	11	14
J	12	12	12	15	15	15	15	18.5
K	5	5	5	7	11.5	15.5	15	16
G	FO4	FO4	FO4	FO5	FO5	FO5	FO7	FO7
M	M5	M5	M5	M6	M6	M6	M8	M8
H	60	60	62	74	81	88	105	110
W	106	106	132	132	162	162	220	200
K1	11	11	11	14	19	19	24	25
Torque	12	16	25	30	45	59	88	188
Kgs	0.65	0.60	0.65	1.10	1.70	2.60	3.55	5.90

Torque includes 30% safety calculated at 16 bar water. For high pressure and viscous media contact the sales office for advice.

Technical Data

Maximum Pressure 69 Bar
 Working Temperature -29°C to +232°C

Dimensions in mm

This data sheet is designed as a guide and should not be regarded as wholly accurate in every detail. We reserve the right to amend the specification of any product without notice.