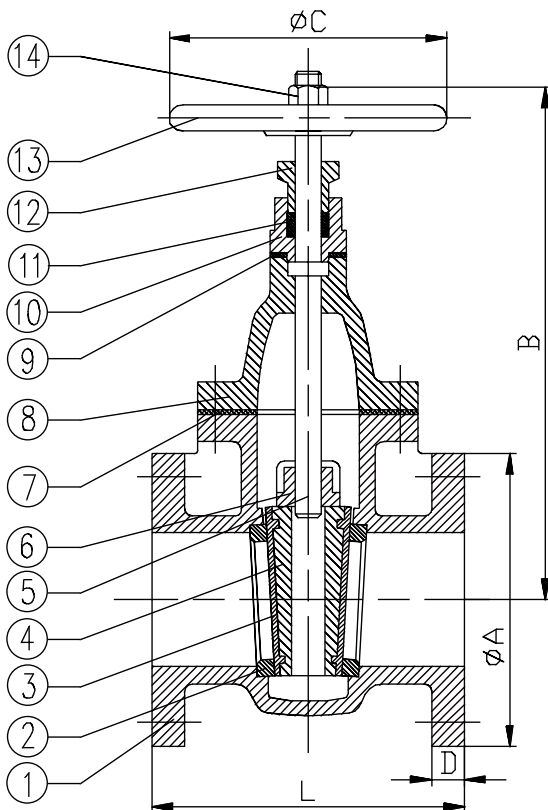


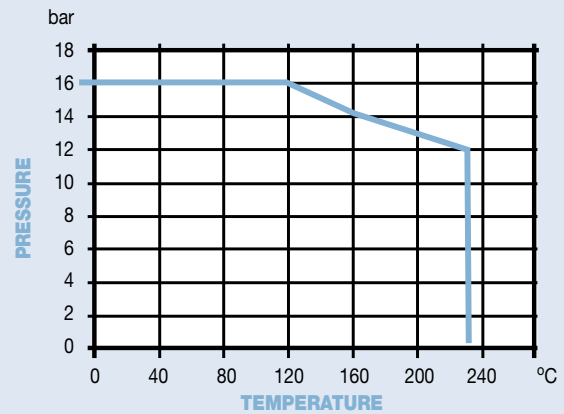
PN16 Cast Iron Gate Valve

Features

- Dimensions to BS5150 and BS EN 558-1
- Flanged BS EN 1092-2 PN16
- Stem: Stainless Steel
- Wedge Face Ring: Bronze
- Non Rising Stem
- Seat Ring: Bronze



Pressure / Temperature



N.	Part Name	Materials
1	Body	Cast Iron
2	Seat Ring	Bronze
3	Wedge Face Ring	Bronze
4	Wedge	Cast Iron
5	Stem	Stainless Steel
6	Wedge Nut	Steel
7	Body Gasket	Graphite
8	Bonnet	Cast Iron
9	Stuffing Box Gasket	Graphite
10	Stuffing Box	Cast Iron
11	Packing	Graphite
12	Gland Follower	Cast Iron
13	Hand Wheel	Ductile Iron
14	Hand Wheel Nut	Brass

DN	50	65	80	100	125	150	200	250	300
A	165	185	200	220	250	285	340	405	460
B	290	303	344	385	459	505	621	725	835
C	160	160	180	200	224	250	355	355	450
D	20	20	22	24	26	26	30	32	32
L	178	190	203	229	254	267	292	330	356
Kgs	16.5	21.6	26.5	47.2	67.5	87.0	118.0	197.0	275.0

Technical Data

Maximum Pressure 16 Bar
 Working Temperature -10°C to +230°C

Dimensions in mm

This data sheet is designed as a guide and should not be regarded as wholly accurate in every detail. We reserve the right to amend the specification of any product without notice.