

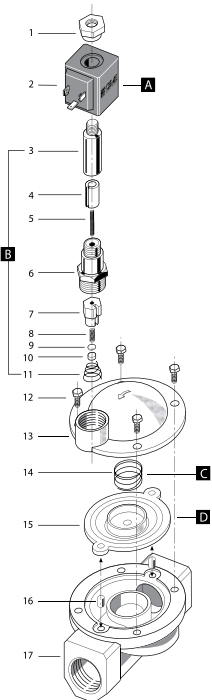
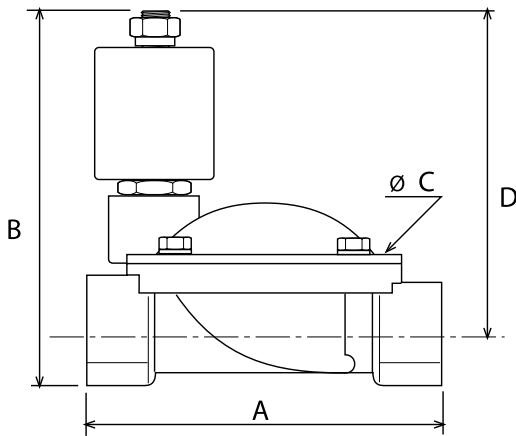
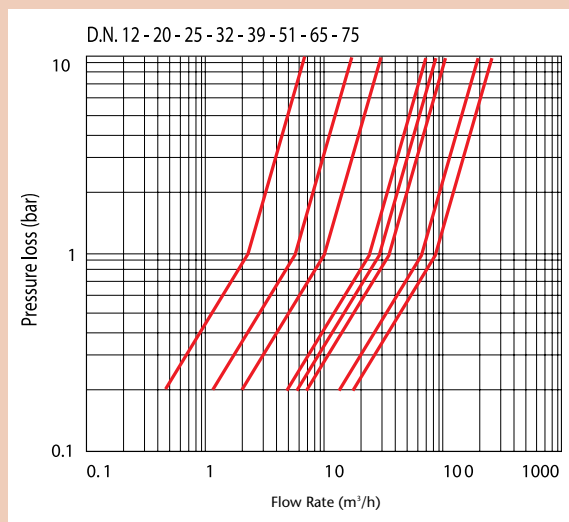


Solenoid Valve Pilot Operated 2/2 Way Normally Open

Features

- Media - Water, Oil, Air
- Seal: NBR
- Body: Brass
- Available with EPDM/Viton for High Temps

Pressure / Flow Rate



N.	Part Name
1	Lock Nut
2	Coil
3	Tube Guide
4	Plunger
5	Spring
6	Tube Guide-Tube Top
7	Shutter
8	Spring
9	Support
10	Seal
11	Spring
12	Screw
13	Valve Body Top
14	Spring
15	Diaphragm
16	Bush
17	Valve Body Base

Coil Options

Voltage	Power	
	Holding	in Rush
V~ 12, 24, 48, 110, 230, 400	50, 60 Hz	15va 25va
V= 12, 24, 48, 110		16w

DN	3/8"	1/2"	3/4"	1"	1 1/4"	1 1/2"	2"	2 1/2"	3"
A	61	61	87	100	131	146	174	245	250
B	95	95	107	113	128	135	151	186	196
C	48	48	69	80	112	128	146	184	184
D	83	83	91	93	101	105	114	140	145
Kgs	0.60	0.55	0.85	1.10	2.70	3.00	4.50	9.50	11.23

Technical Data

Pressure Range	0.3 bar to 10 bar
Working Temperature	-20°C to +90°C

Dimensions in mm

This data sheet is designed as a guide and should not be regarded as wholly accurate in every detail. We reserve the right to amend the specification of any product without notice.