

PINCH VALVE QV



Pinch valve with full passage for solid mattered wastewater, mud and similar media.

TECHNICAL DATA

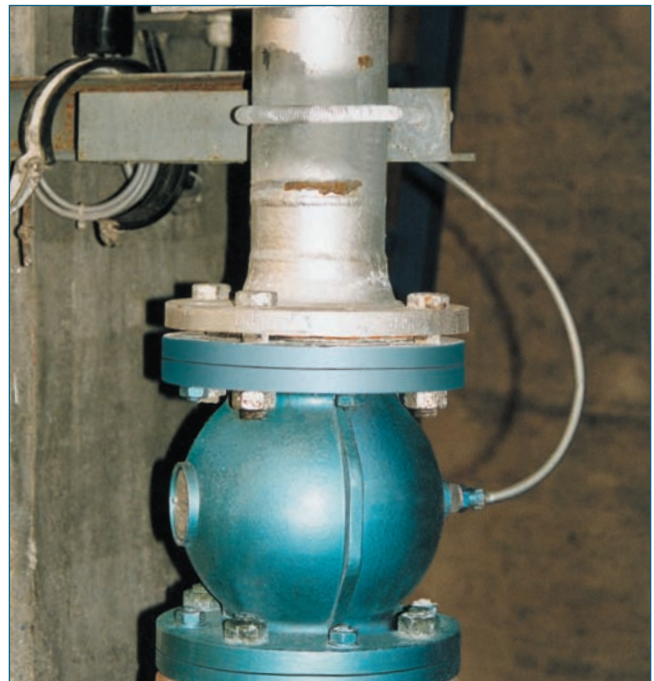
Nominal diameter:	DN 40 – DN 200
Face-to-face:	EBRO works standard
Flange accomodation:	DIN 2501 (PN 10)
Flange Surface Design:	DIN 2526, Form C-E
Temperature range:	-20 °C to +140 °C (depending on hose material)
Operating pressure:	5 bar
Differential pressure:	2 bar (control air pressure – operating pressure)
Body:	Aluminiumalloy
Seat:	Natural rubber EPDM (Ethylene propylene caoutchouc) FPM (Fluorocarbon caoutchouc)
Flanges:	Aluminiumalloy - Rubber coated - Rilsan coated

FEATURES

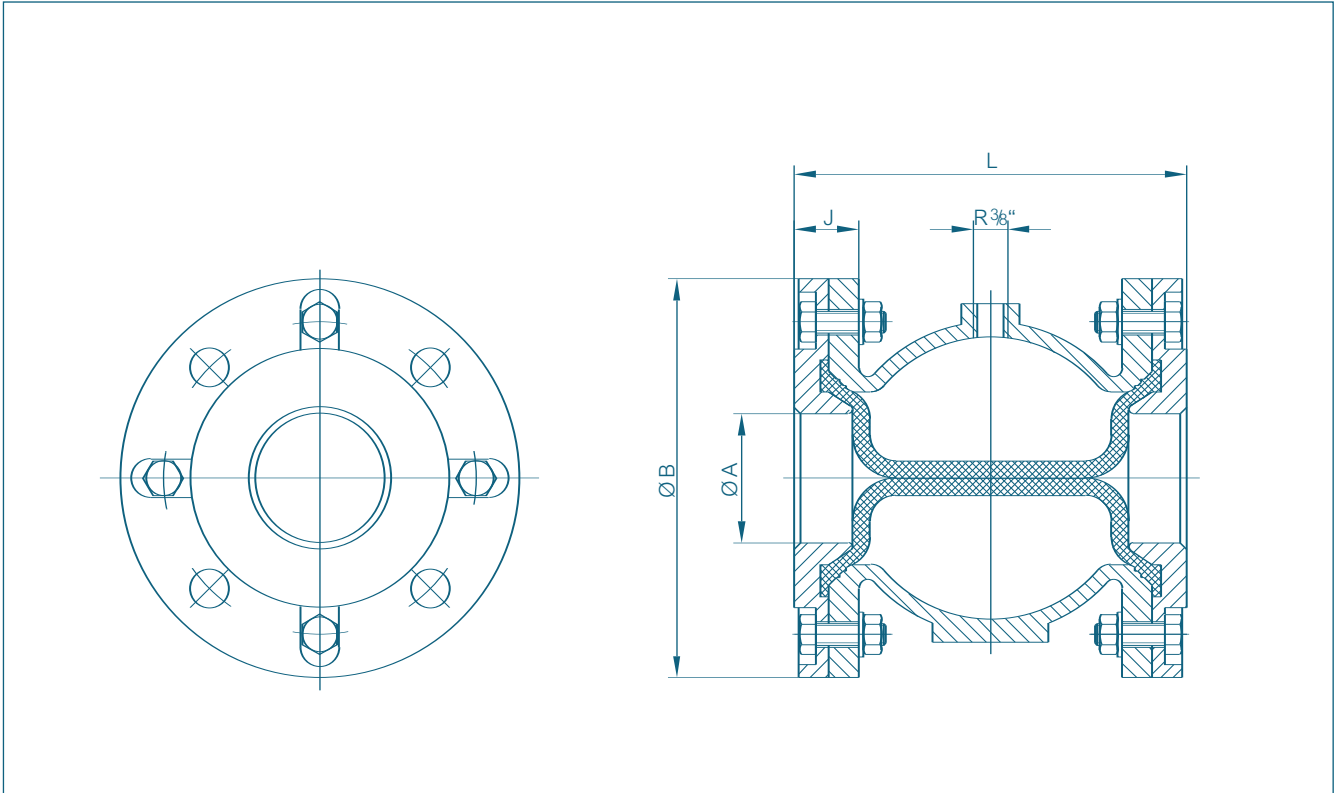
- Full passage, special suitability for mud, pulver, granulates
- Mounting of a solenoid valve enables electro-pneumatic operation
- Can be installed in any desired position

GENERAL APPLICATIONS:

- Pneumatic Conveying Systems
- Solid mattered media



PINCH VALVE QV



DN [mm]	Size [in]	Dimensions [mm]				Weight [kg]
		A	B	J	L	
40	1½	35	150	30	156	7,5
50	2	45	165	30	167	9
65	2½	60	185	30	182	11,5
80	3	75	200	34	226	16
100	4	95	220	39	282	22
125	5	120	250	43	350	35
150	6	145	285	50	420	48
200	8	195	340	57	559	94

Subject to change without notice.