

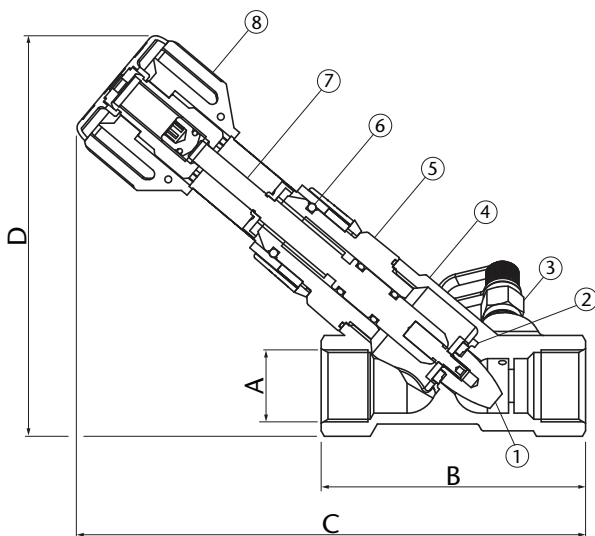
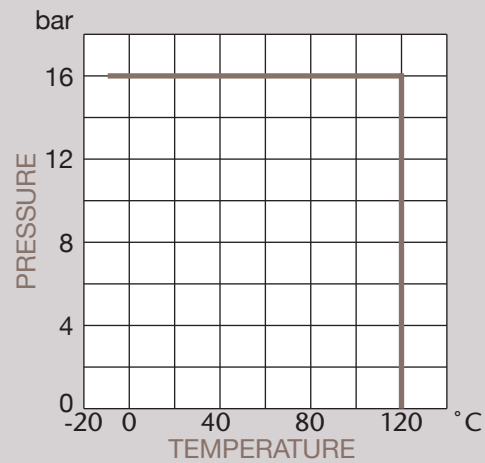
PN16 DZR Balancing Valve

Features

- Screwed BSP parallel
- Fixed orifice with $\pm 5\%$ flow measurement accuracy
- Position indicator
- Supplied with 2 fitted test points
- EPDM disk seating gives tight shut off



Pressure / Temperature



N.	Part Name	Materials
1	Disk	DZR Brass
2	Disk Facing	EPDM Rubber
3	Pressure Test Point	DZR Brass
4	Body	DZR Brass
5	Bonnet	DZR Brass
6	'O' Rings	Nitrile Rubber
7	Stem	DZR Brass
8	Handwheel	Nylon 6

	1/2"	3/4"	1"	1 1/4"	1 1/2"	2"
A	Rp1/2	Rp3/4	Rp1	Rp1 1/4	Rp1 1/2	Rp2
B	85	97	113	144	163	193
C	161	185	186	207	260	281
D	125	146	159	169	212	230
kgs	0.68	0.93	1.13	1.66	2.47	3.73

Technical Data

Max Pressure	16 bar
Working Temperature	-10°C to 120°C

Dimensions in mm

This data sheet is designed as a guide and should not be regarded as wholly accurate in every detail. We reserve the right to amend the specification of any product without notice.