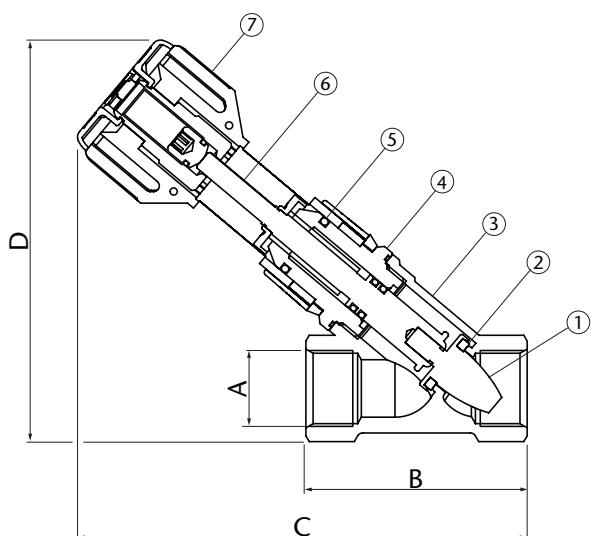


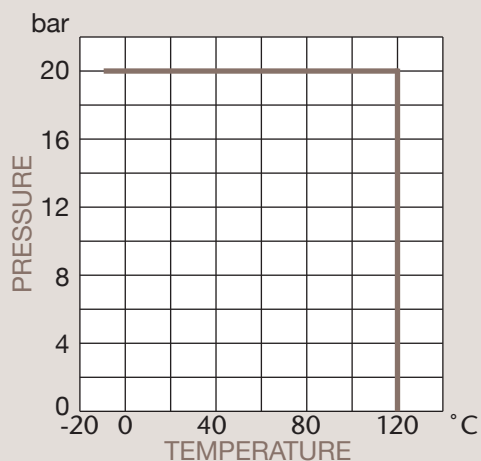
PN20 DZR Double Regulating Valve

Features

- Screwed BSP parallel
- Position indicator
- Double regulating device
- Non rising stem
- EPDM disk seating gives tight shut off
- ½" Art 26L suitable for lower flowrates



Pressure / Temperature



N.	Part Name	Materials
1	Disk	DZR Brass
2	Disk Facing	EPDM Rubber
3	Body	DZR Brass
4	Bonnet	DZR Brass
5	'O' Rings	Nitrile Rubber
6	Stem	DZR Brass
7	Handwheel	Nylon 6

	½"	¾"	1"	1¼"	1½"	2"
A	Rp½	Rp¾	Rp1	Rp1¼	Rp1½	Rp2
B	68	77	91	108	116	143
C	138	157	160	171	212	231
D	120	140	155	171	212	230
kgs	0.48	0.65	0.86	1.28	1.89	2.80

½" Art 26L & Art 26 are identical dimensionally

Technical Data

Max Pressure	20 bar
Working Temperature	-10 °C to 120 °C

Dimensions in mm

This data sheet is designed as a guide and should not be regarded as wholly accurate in every detail. We reserve the right to amend the specification of any product without notice.