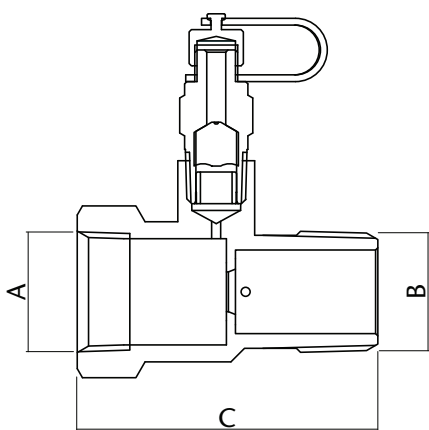
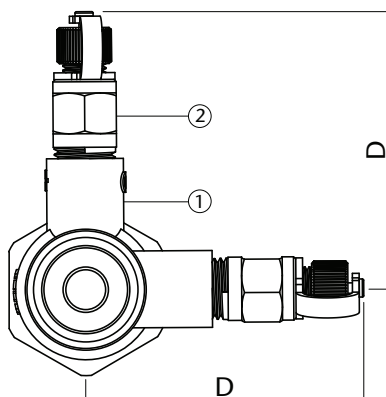


## PN20 DZR Metering Station



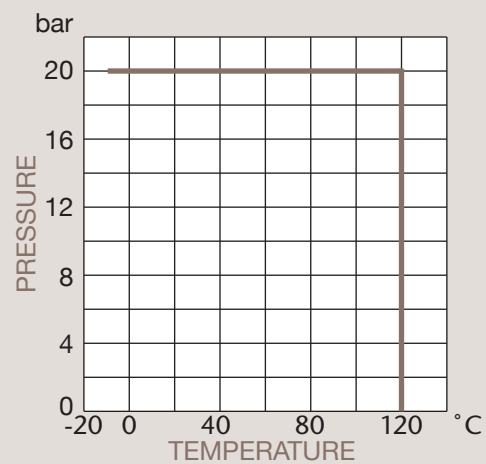
### Technical Data

Max Pressure	20 bar
Working Temperature	-10°C to 120°C

### Features

- Screwed BSP taper
- Fixed orifice with  $\pm 5\%$  flow measurement accuracy
- Can be close coupled to a double regulating valve
- Supplied with 2 fitted test points
- Available as Art 27UUL, 27UL, 27L and 27M

### Pressure / Temperature



N.	Part Name	Materials
1	Body	DZR Brass
2	Pressure Test Point	DZR Brass

	Min Flowrate l/s	Max Flowrate l/s
UUL	0.003	0.007
UL	0.007	0.014
L	0.013	0.028
M	0.027	0.058

	1/2"
A	Rc <sup>1/2</sup>
B	R <sup>1/2</sup>
C	67
D	59
kgs	0.22